



# DC Applications Transient Voltage Filters

# RDS

## Specifications

### Electrical

**Input Voltage:** Up to 500VDC

**Resistance:** 10 to 680 ohms,  $\pm 10\%$ , 0.5 watt

**Diode:** 1 Amp @ 400 or 1,000PIV

### Varistors:

Voltage Code	Max. Allowable DC Voltage	Max. Clamping Voltage	Energy (Joules)
1	170VDC	340V @ 10A	10
3	320VDC	650V @ 10A	17
7	200VDC	395V @ 25A	25

**Reverse Leakage Current:** <50 microamps

### Physical

**Termination:** #18

Stranded Wire Leads or  
#20 Solid Wire Leads

**Packaging:** Epoxy Filled

**Weight:** 1 Oz.

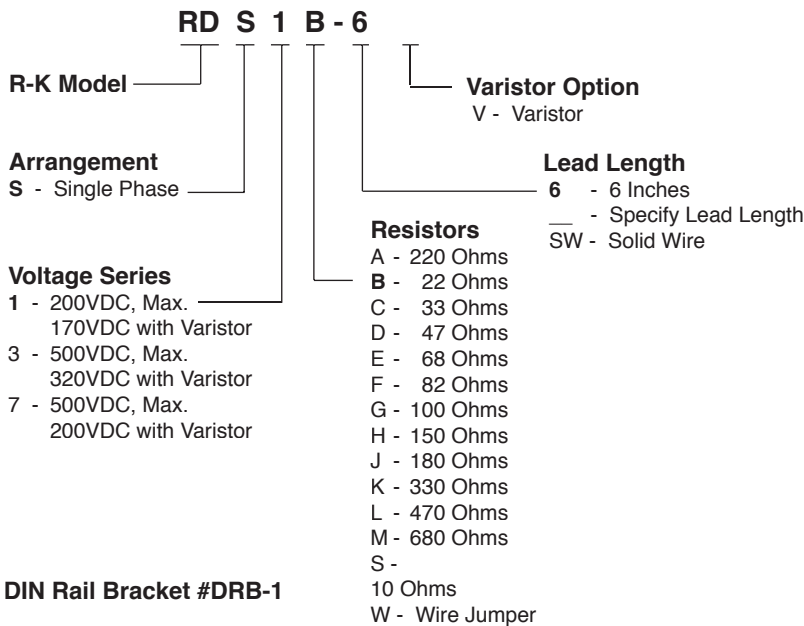
### Ambient Temperatures

**Operating:** -40°C to 85°C

**Storage:** -40°C to 85°C



## Ordering Information



- Up to 170 to 500 Volt Ratings
- DC Applications
- Varistor Options
- Stranded Wire or Solid Wire Leads

## Operation

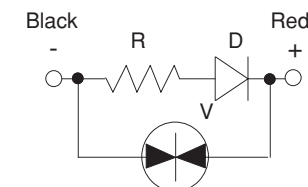
### Transient Voltage Filters

R-D networks (Resistance-Diode) are applied to circuits where transient electrical voltages can cause a malfunction or damage in solid state controls or control systems (PLCs, CNCs, NCs, Solid State Counters, etc.). The RDSs are applied in parallel with DC (Direct Current) coils to absorb the transients generated when the coils are de-energized.

## Connections



Without Varistor



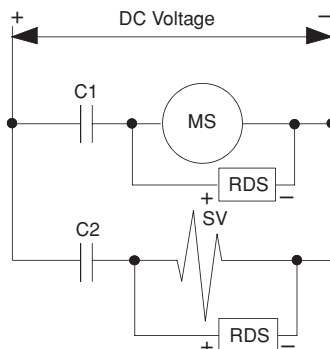
With Varistor

### Hook-Up Example

MS = Motor Starter SV = Solenoid Valve

C1 = Contact C2 = Contact

RDS = R-D Network



## Dimensions

